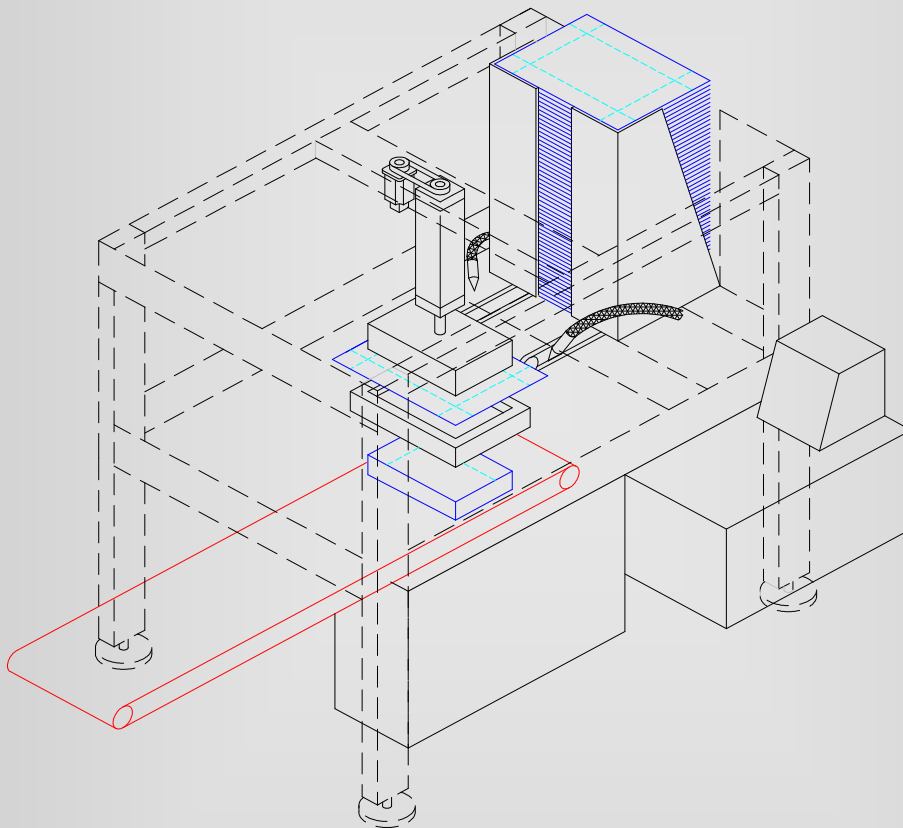


Introduce the

Linkx Tray maker

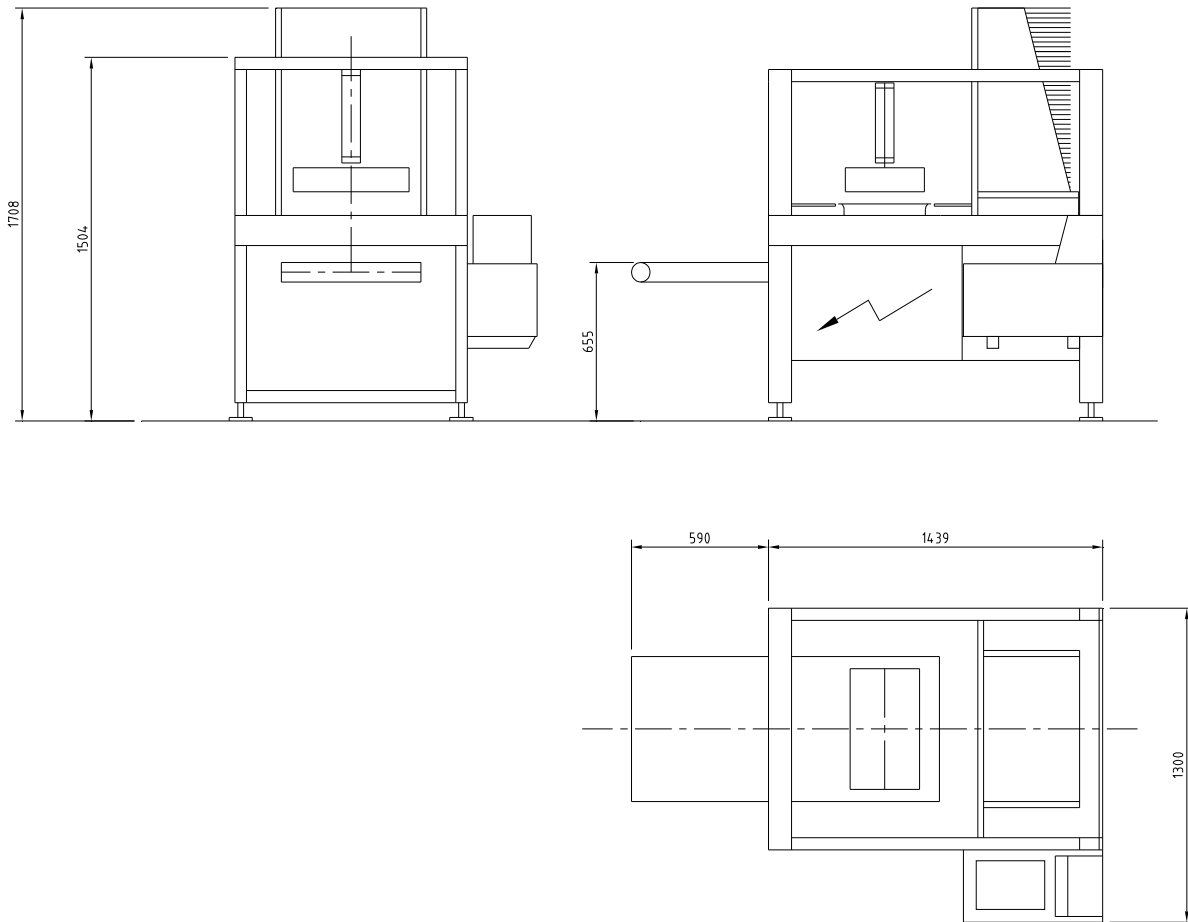


The Tray maker does exactly what it says on the tin.... it makes trays. From pre cut board blanks, the tray maker glues and forms them accurately every time at up to 40 per minute. Corrugated or carton board, shallow or deep draw, the Linkx tray maker will form it. As a free-standing machine, the Tray maker can be linked by conveyor to automatic tray loaders or hand pack stations.

Linkx Systems Ltd. Beccles Suffolk.

Tel: 01502 713 777 Fax: 01986 800081 Email: sales@linkx.co.uk

THE LINKX TRAY MAKER



FEATURES

- **UK DESIGNED & BUILT**
- **EASY LOAD MAGAZINE**
- **SERVO DRIVEN TRAY PULL DOWN & DELIVERY**
- **PROVEN PRINCIPLES & TECHNOLOGY**
- **HOT MELT GLUE SYSTEM**
- **SIMPLE SIZE CHANGE**
- **TOTAL REPEATABILITY**
- **SIMPLE TO USE & OPERATOR FRIENDLY**
- **EASY ACCESS**