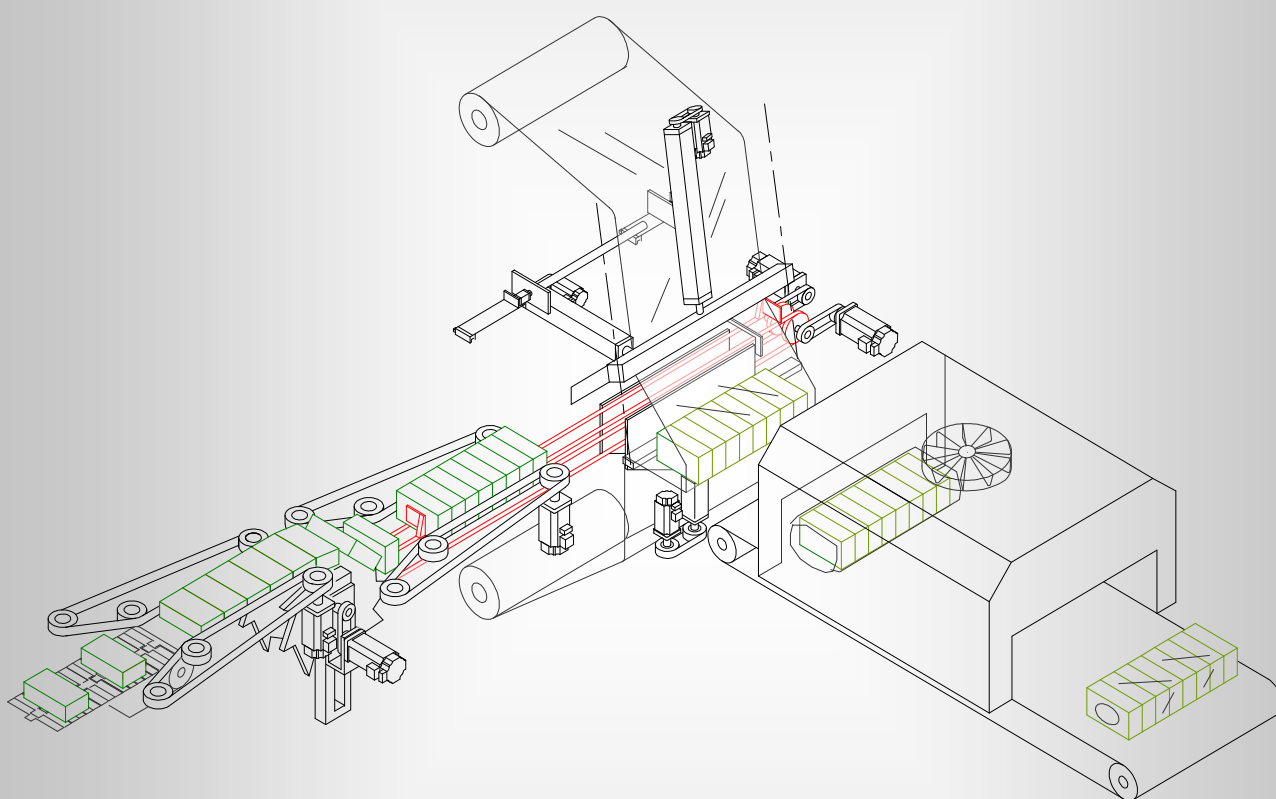


Designed &
Manufactured
in the UK

Introducing the

Linkx matrix

COLLATING, SHRINK WRAPPING MACHINE



The Matrix is a side feed collator—shrink wrapping machine designed specifically to handle cartons. Whether they be end load or top load, it makes no difference and the Matrix can handle them at speeds of up to 300 per minute. (Subject to a maximum wrapping speed of 30 packs per minute and dependent on carton size)

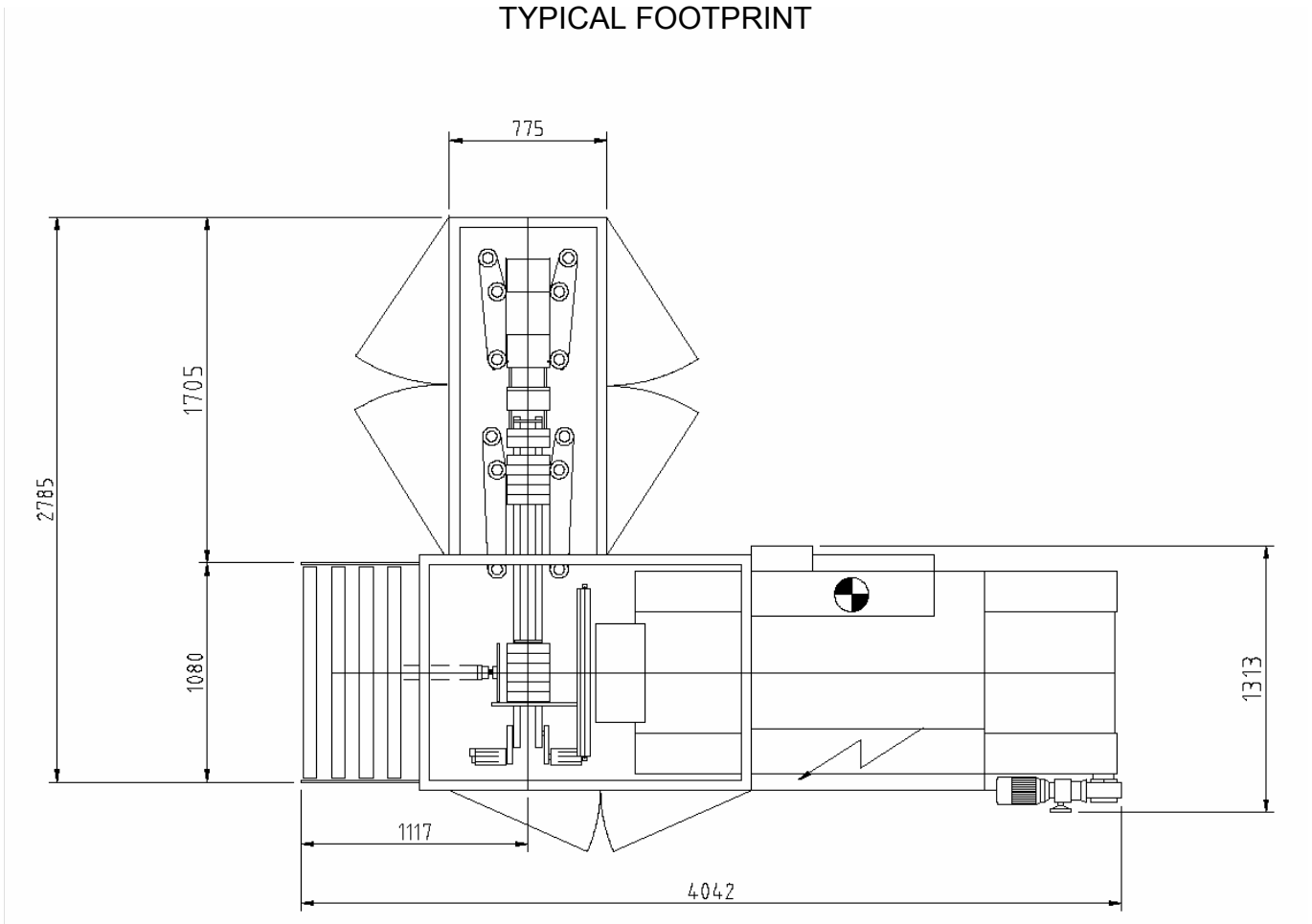
Linkx Systems Ltd. Beccles Suffolk.

Tel: 01502 713777 Email: sales@linkx.co.uk

WWW.LINKX.CO.UK;

THE LINKX MATRIX

TYPICAL FOOTPRINT



FEATURES:

- UK DESIGNED & BUILT
- HIGH SPEED CAPABILITY
- INTEGRAL, SERVO DRIVEN STARWHEEL UPENDER
- SERVO CONTROLLED COLLATION SYSTEM
- SERVO CONTROLLED WRAPPING PUSHER & SEALING JAW
- MODULAR CONSTRUCTION
- ENERGY EFFICIENT DRIVES & SHRINK TUNNEL
- PROVEN PRINCIPLES & TECHNOLOGY
- FLEXIBLE & ADAPTABLE
- PROGRAMMED SIZE CHANGE
- TOTAL REPEATABILITY
- SIMPLE TO USE & OPERATOR FRIENDLY