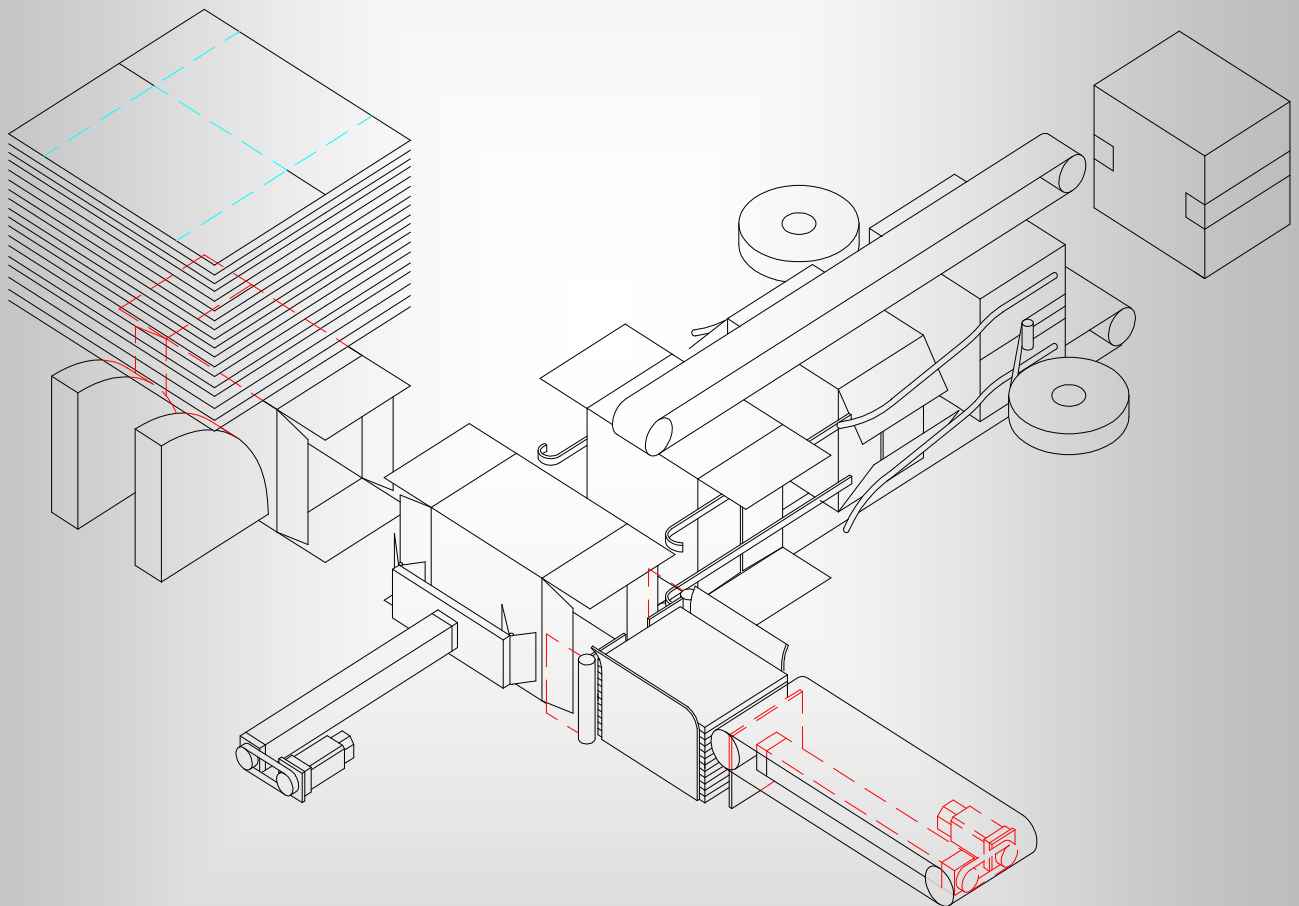


Introduce the

# Linkx Boxer

**COLLATING, CASE PACKING MACHINE**



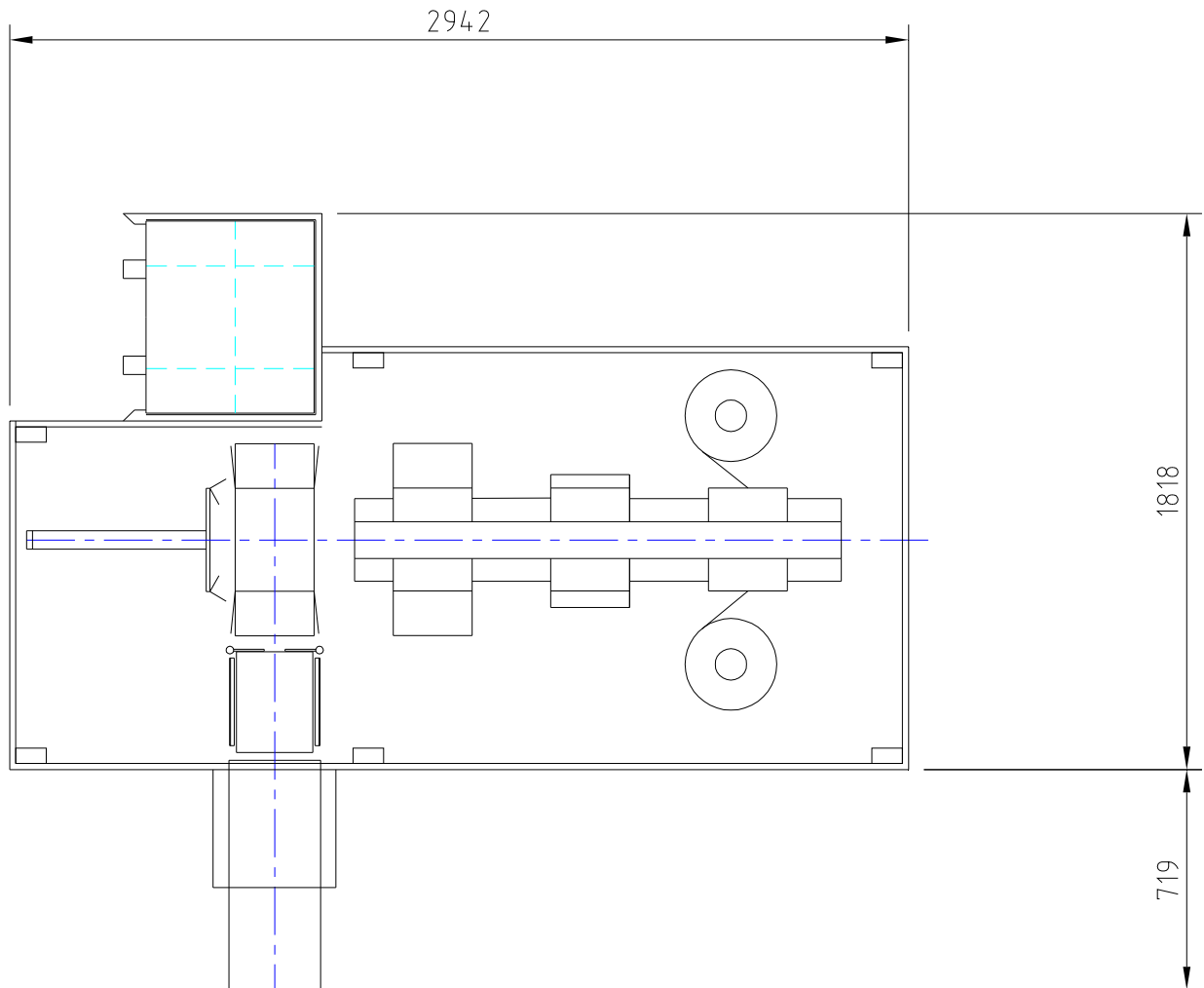
**The Boxer is a collator/case packer/closer designed to handle a wide variety of products. From books and bags to bottles and cartons, whatever the product the Boxer can handle it. Options for tape or glue seal are available along with conveyors and collators, all designed to suit your particular requirements.**

**Linkx Systems Ltd. Beccles Suffolk.**

**Tel: 01502 713777 Fax: 01986 800081 Email: [sales@linkx.co.uk](mailto:sales@linkx.co.uk)**

**[WWW.LINKX.CO.UK](http://WWW.LINKX.CO.UK);**

# THE LINKX BOXER CASE PACKER



## FEATURES

- **UK DESIGNED & BUILT**
- **SERVO CONTROLLED LOADING PUSHER**
- **EASY LOAD MAGAZINE**
- **SERVO DRIVEN CASE PULL DOWN & DELIVERY**
- **PROVEN PRINCIPLES & TECHNOLOGY**
- **GLUE OR TAPE CLOSE OPTIONS**
- **OPTIONAL COLLATORS AVAILABLE TO SUIT (Example shown is for boxed cards)**
- **SIMPLE SIZE CHANGE**
- **TOTAL REPEATABILITY**
- **SIMPLE TO USE & OPERATOR FRIENDLY**
- **EASY ACCESS**